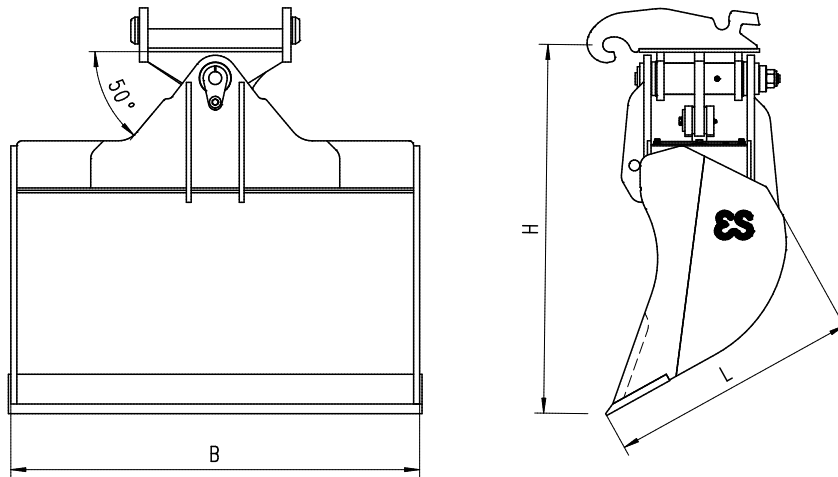


**With built-in cylinder type KSI with CW1/
CW2**

To Excavators in the class 4-15 ton



**Traditionally good for digging trenches and
finishing of slopes**



| Bucket type | B (mm) | L (mm) | H (mm) | Capacity (1:1) |
|-----------------|--------|--------|--------|----------------|
| KSI.1.010.1200 | 1200 | 465 | 815 | 175 ltr. |
| KSI.1.010.1400 | 1400 | 465 | 815 | 208 ltr. |
| KSI.1.013.1300 | 1300 | 521 | 897 | 256 ltr. |
| KSI.1.013.1400 | 1400 | 521 | 897 | 277 ltr. |
| KSI.1.016.1400 | 1400 | 583 | 943 | 330 ltr. |
| KSI.1.016.1500 | 1500 | 583 | 943 | 355 ltr. |
| KSI.2.016.1500 | 1500 | 626 | 1036 | 345 ltr. |
| KSI.2.016.1600 | 1600 | 626 | 1036 | 370 ltr. |
| KSI.2.020.1500 | 1500 | 696 | 1126 | 435 ltr. |
| KSI.2.020.1600 | 1600 | 696 | 1126 | 465 ltr. |
| KSI.2.020.1700 | 1700 | 696 | 1126 | 500 ltr. |
| KSI.2.024.1600B | 1600 | 764 | 1206 | 560 ltr. |
| KSI.2.024.1800B | 1800 | 764 | 1206 | 635 ltr. |
| KSI.3.024.1600 | 1600 | 820 | 1179 | 570 ltr. |
| KSI.3.024.1800 | 1800 | 820 | 1179 | 650 ltr. |
| KSI.3.028.1600 | 1600 | 849 | 1230 | 665 ltr. |
| KSI.3.028.1800 | 1800 | 849 | 1230 | 755 ltr. |

Characteristics of Tiltable bucket with built-in cylinder:

- Intended for fast and uncomplicated digging and cleaning trenches and slopes
- Very powerful by means of patented cinematic and cylinder system
- Fully protected cylinder, so back of the bucket completely free of obstacles
- Compact construction and steady tilting-angle 2 x 50°
- Valve block for standard locking and hoseconnector directly under tilting-suspension
- All pivot points fitted with grease nipples
- Several other versions and widths possible on request

Eurosteel BV

Van Heemskerckweg 10
5928 LL Venlo
The Netherlands
T: +31 (0)77 387 60 60
F: +31 (0)77 382 49 47
E: info@eurosteel.nl