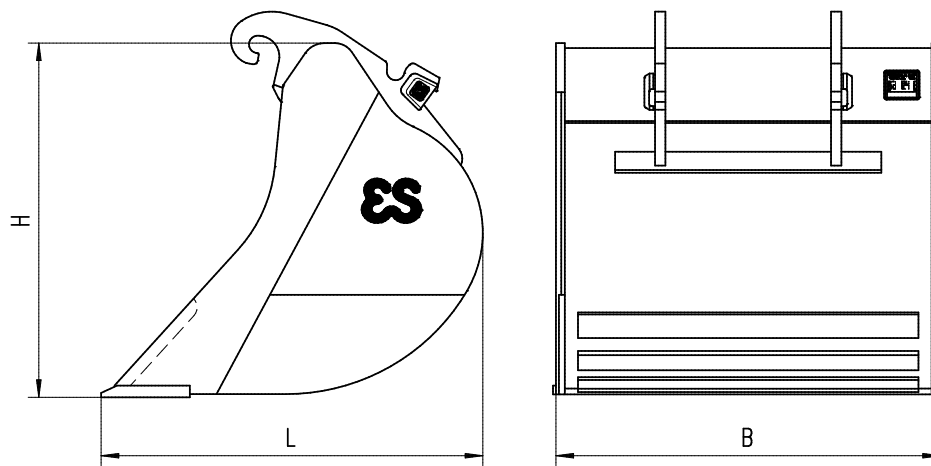


Heavy Duty type DOV with CW1/CW2
To Excavators in the class 4-15 ton



**Intended for heavier excavation activities than
standard in slightly rocky soils**



Bucket type	B (mm)	L (mm)	H (mm)	Capacity (1:1)	Weight (kg)
DOV.1.035.0900	900	845	828	395 ltr.	252 kg
DOV.2.050.0500	500	1010	1000	264 ltr.	285 kg
DOV.2.050.0600	600	1010	1000	332 ltr.	295 kg
DOV.2.050.0800	800	1010	1000	472 ltr.	340 kg
DOV.2.050.1000	1000	1010	1000	617 ltr.	385 kg
DOV.2.050.1100	1100	1010	1000	690 ltr.	408 kg
DOV.2.050.1200	1200	1010	1000	763 ltr.	431 kg

Characteristics of Excavation Bucket heavy duty:

- Intended for heavier excavation activities than standard in slightly rocky soils
- Suitable for light-breakout and demolition work
- Robust and strong construction
- Available with different suspensions: Standard, Quick Twin, Pin-on or specials
- Several other versions and widths possible on request

Eurosteel BV

Van Heemskerckweg 10

5928 LL Venlo

The Netherlands

T: +31 (0)77 387 60 60

F: +31 (0)77 382 49 47

E: info@eurosteel.nl

www.eurosteel.nl

leaflet version 3.0